

FIG. 1

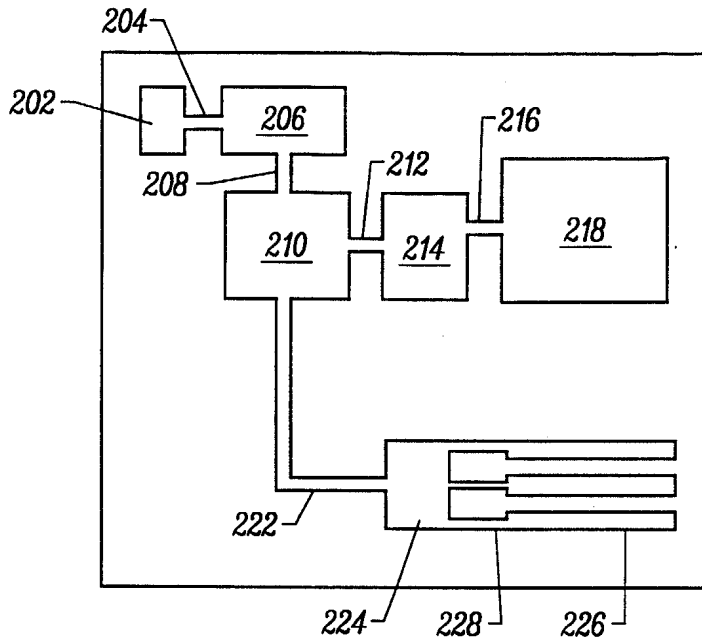
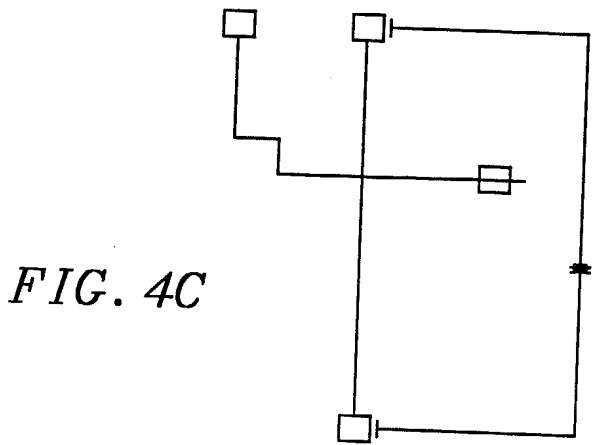
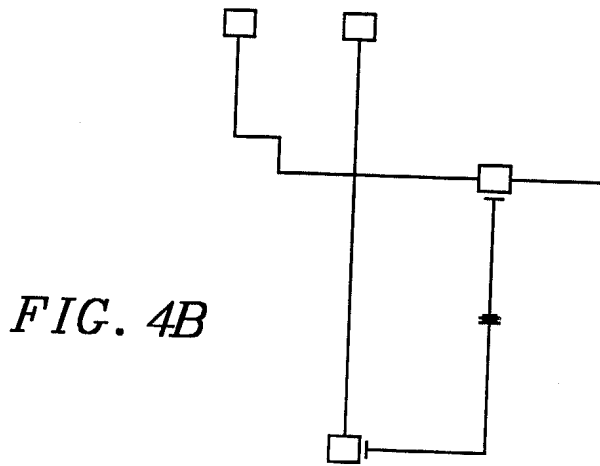
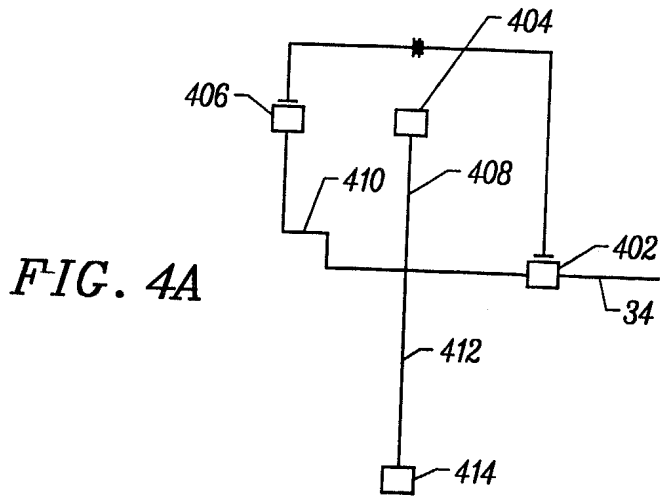


FIG. 3



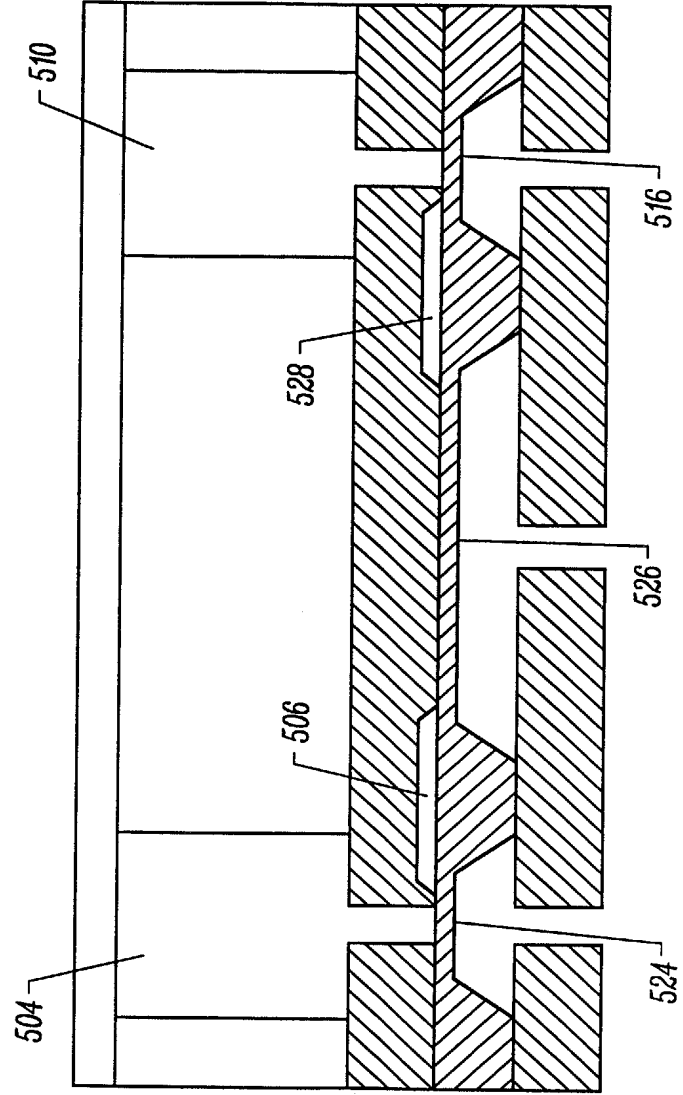


FIG. 5B

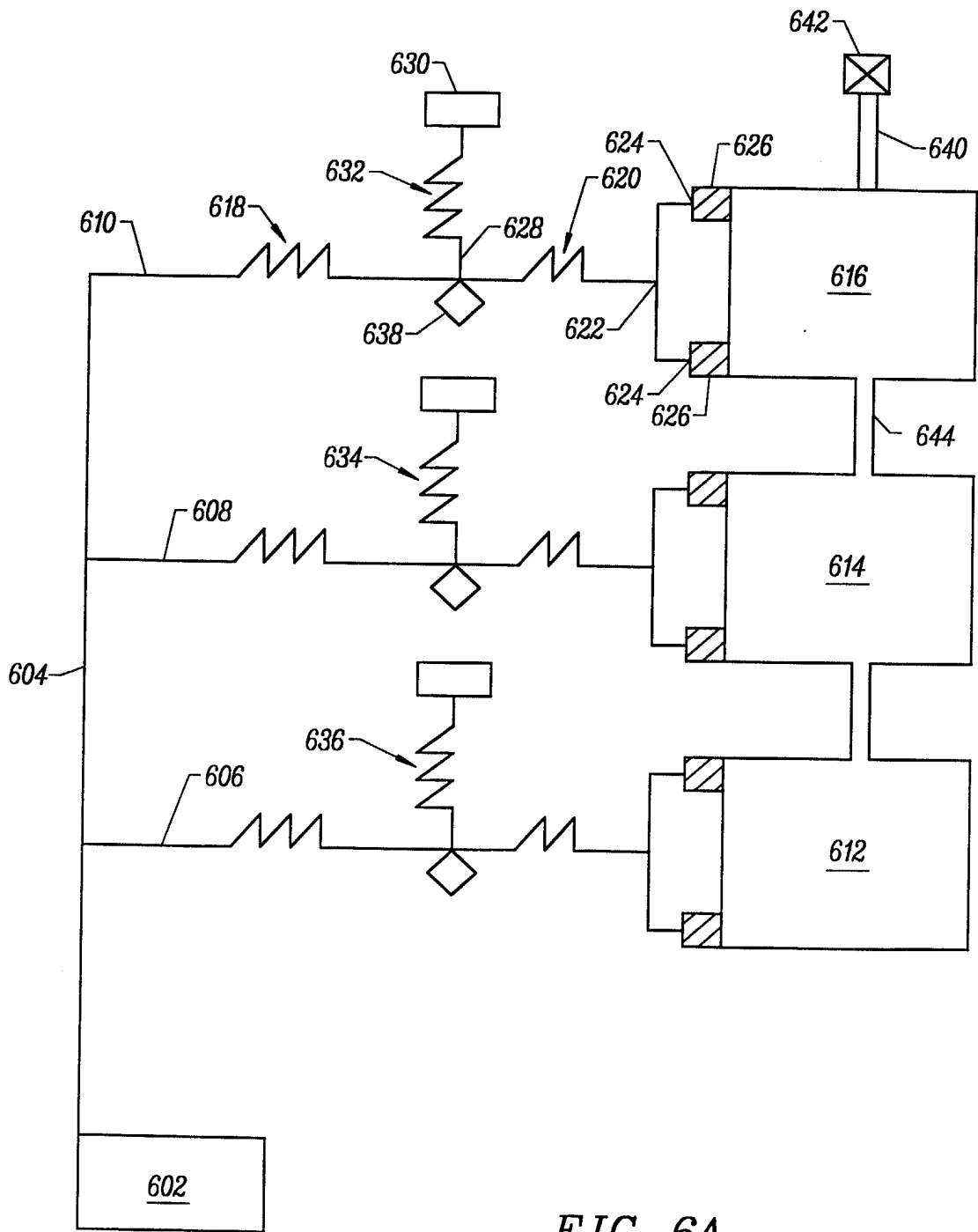


FIG. 6A

650 646 648 658 654 656 660 662 642 640 652

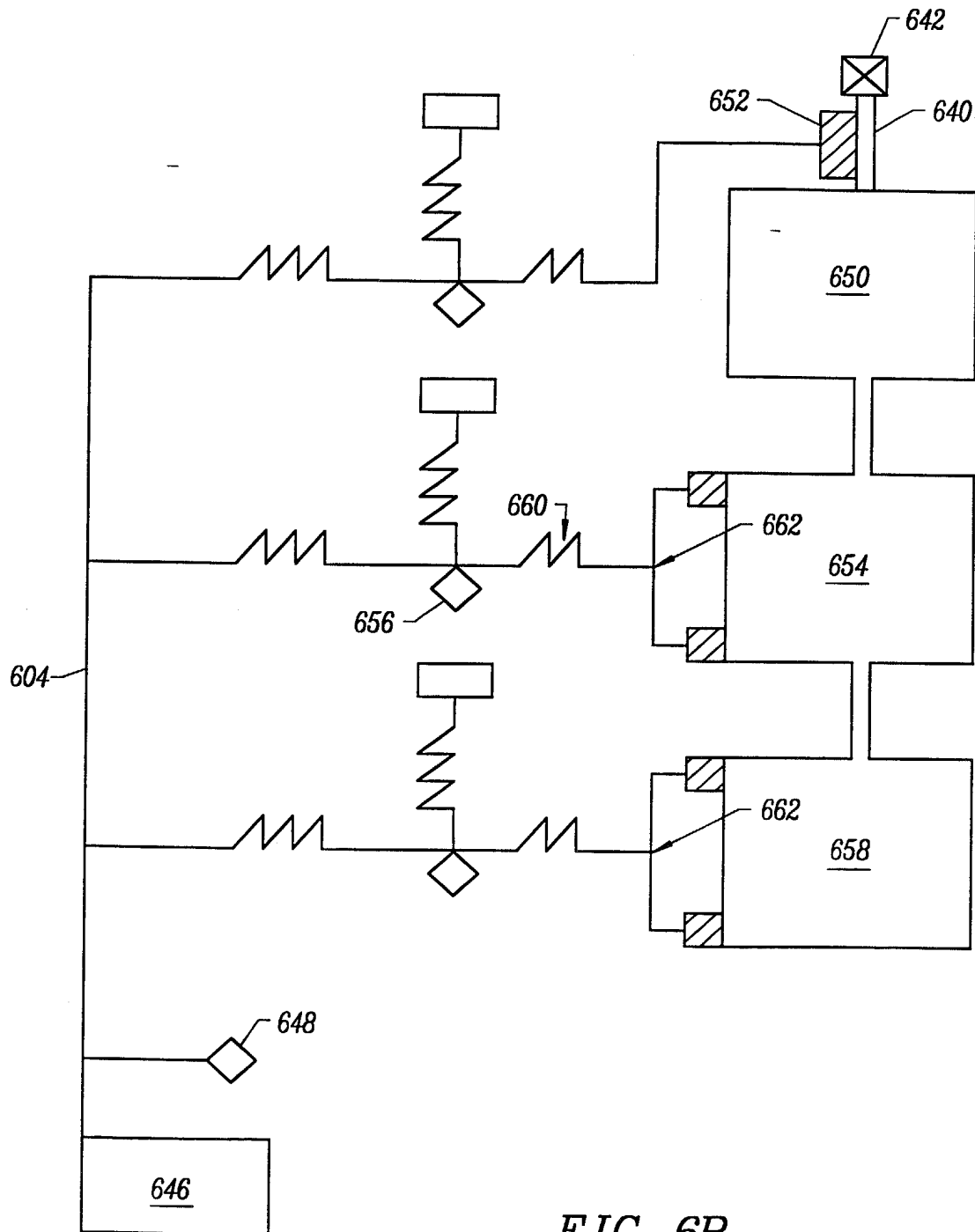


FIG. 6B

00900" 84767560

Pressure Distribution Among Control Nodes

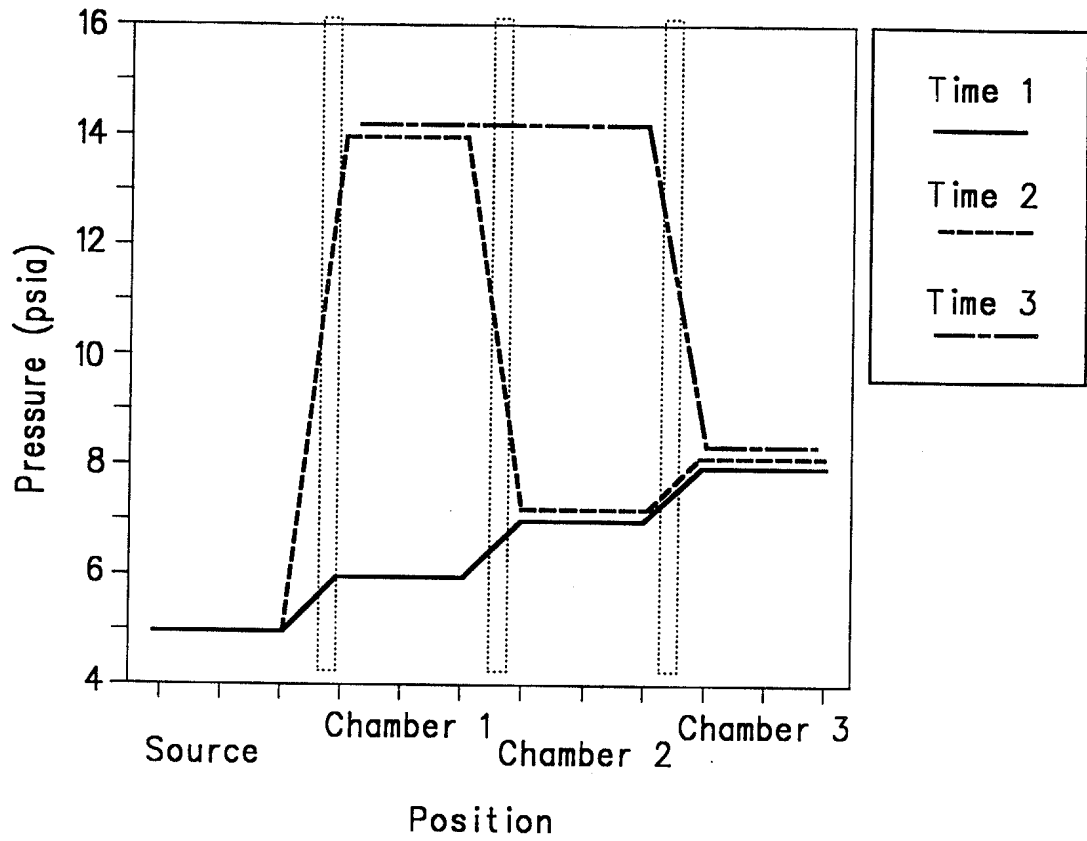


FIG. 6C

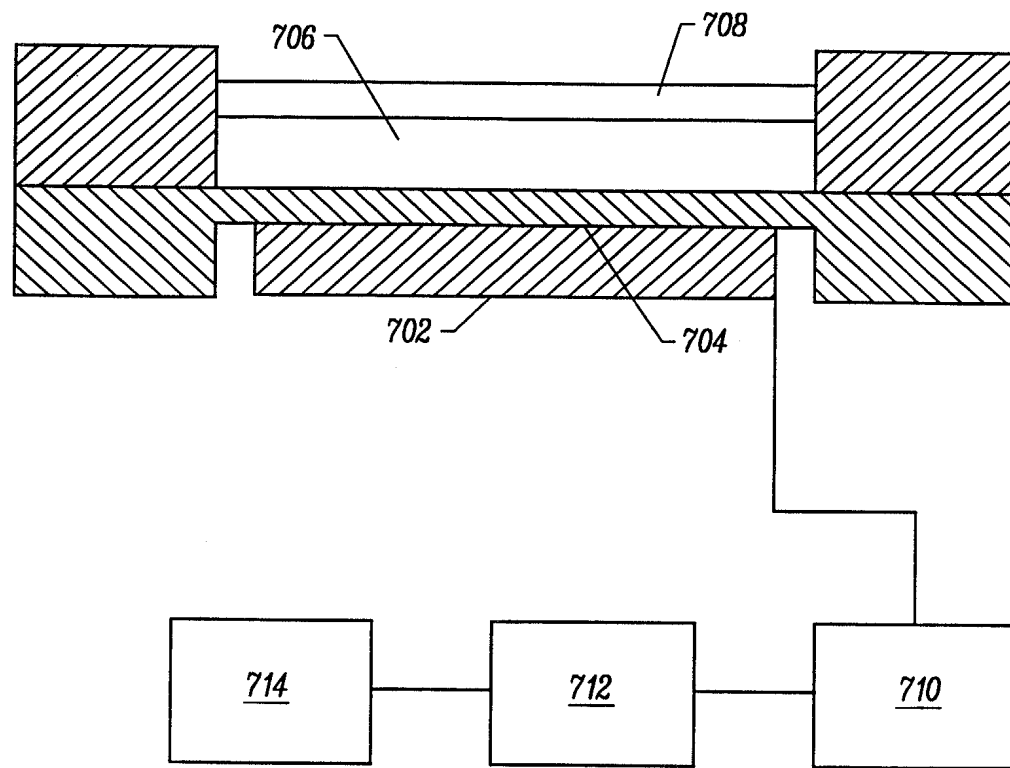


FIG. 7A

Flow Visualization



FIG. 7B

0090E0-8416T56D

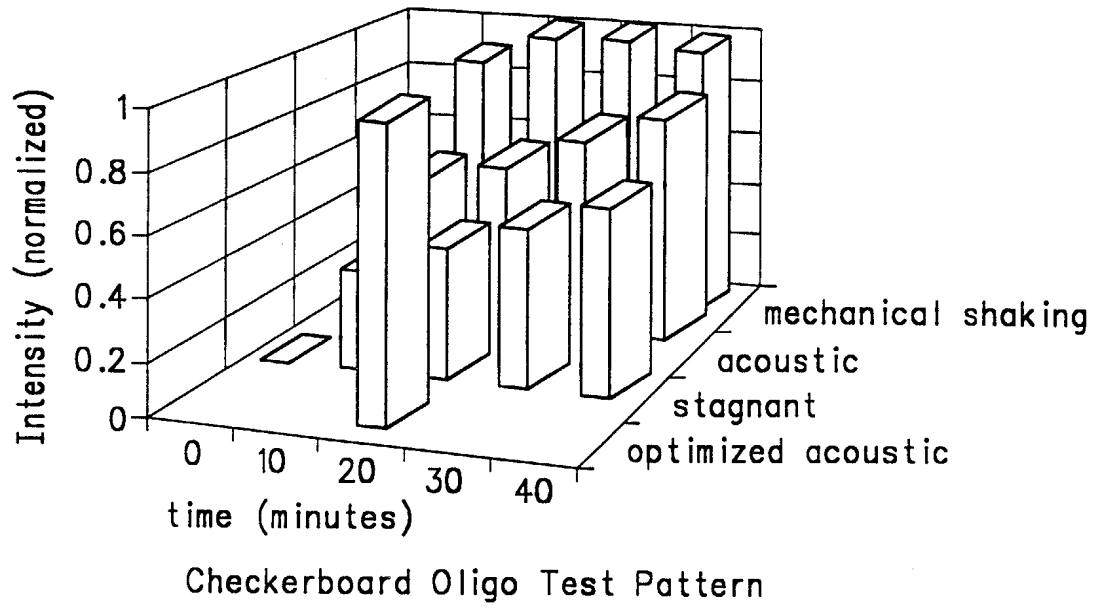


FIG. 7C

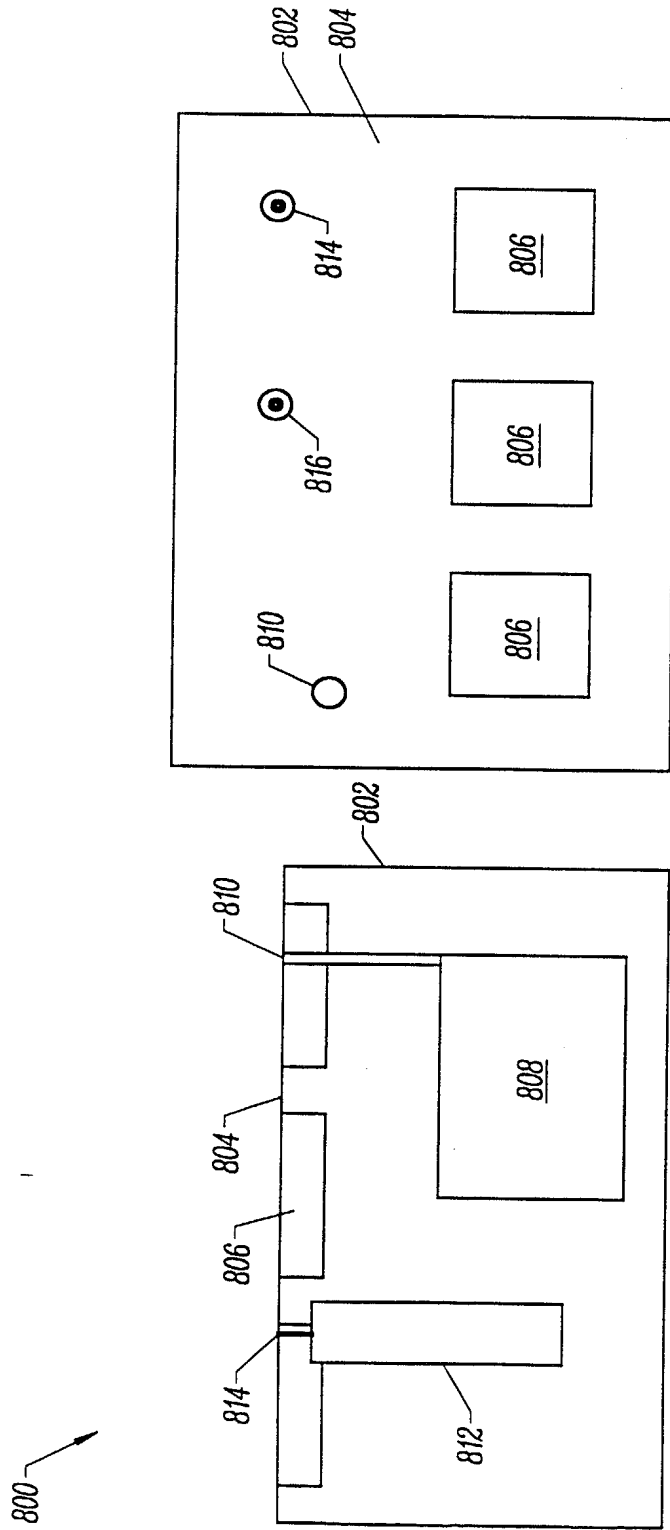


FIG. 8

00500" 41167500

Cycles:	35	Ini Den	94.0	Den	94.0	Ann	65.0	Fin Ext	72.0	Hold	10.0
Temp	94.0	Time(s)	60	20	40	50	60	1000			
Temp Hem	0	0	0	42							981
Cyc Hem	19	St. Time [Min]	85.4								Tue. Nov. 14, 1995
											11:31 AM

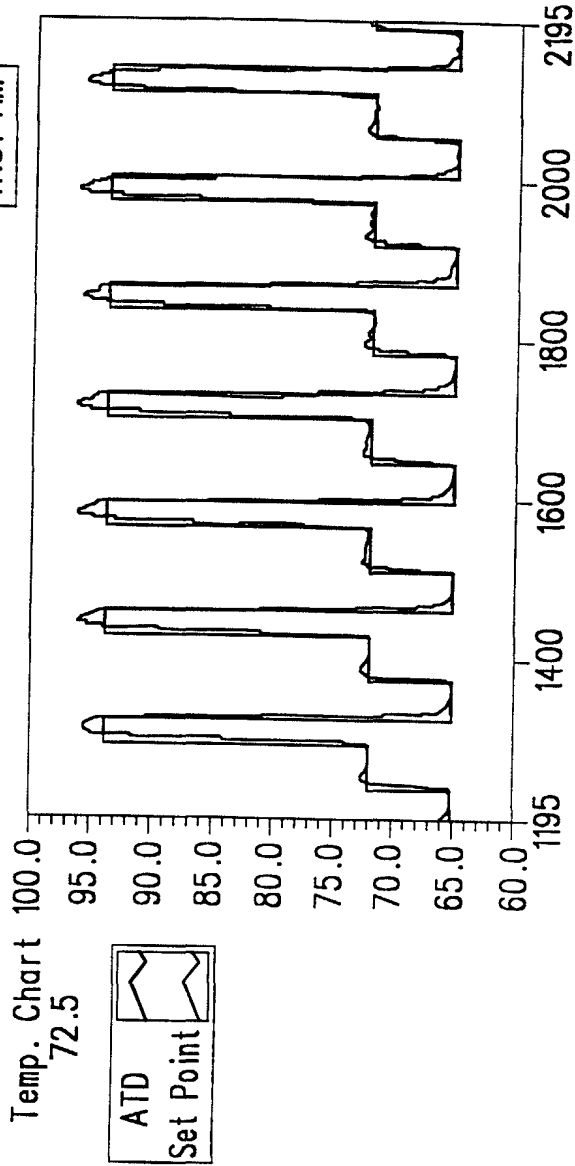
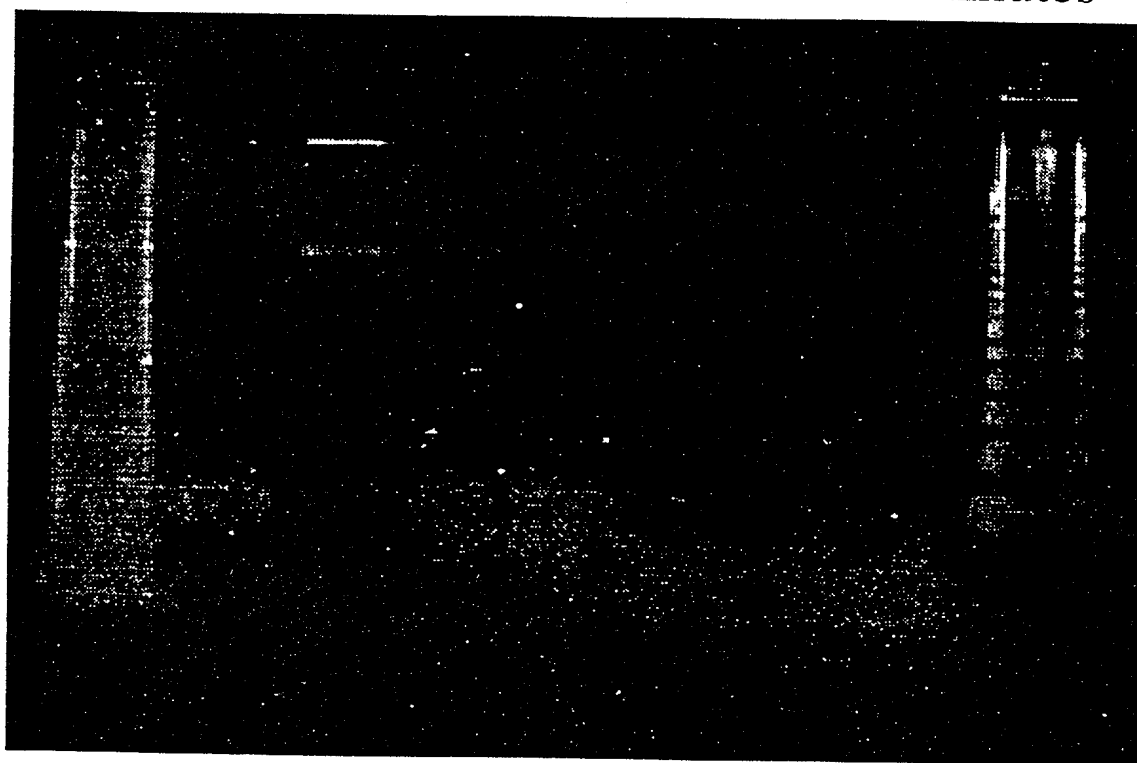


FIG. 9

Effect of Fragmentation Time at 94C

t = 0 5 10 30 60 120 minutes



Correct Call Rates:

74%	95.8%	95.9%
95.9%	95.5%	83%

FIG. 10A

Standard

Tube Based

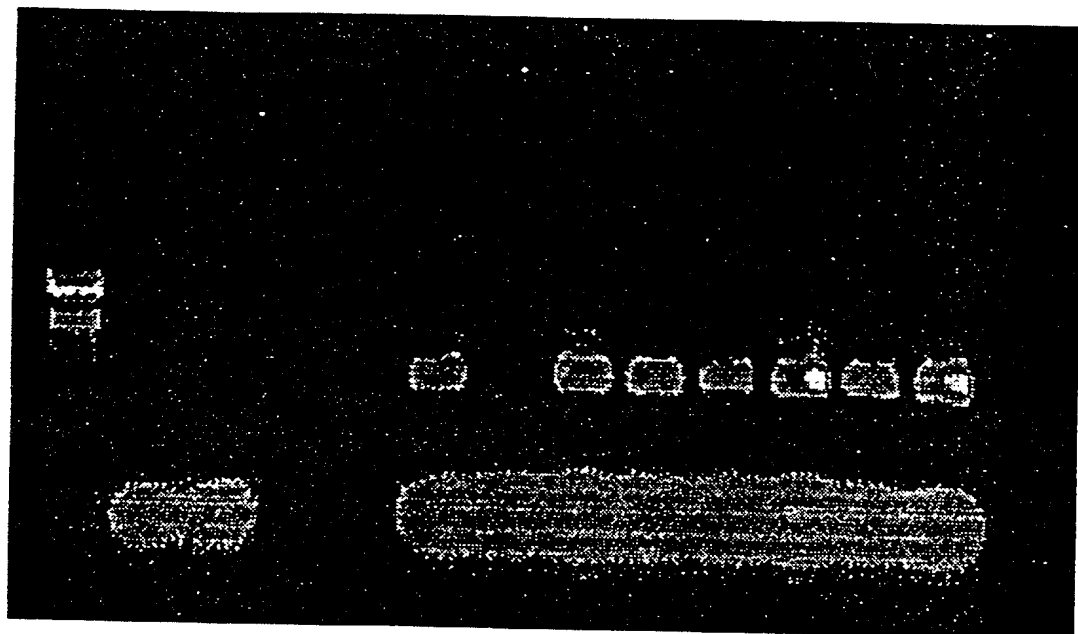


FIG. 10B

0050E0 84767560

PCR Results

■ PCR:

amplification: 10^9 (35 cycles)

control microchamber

∨ ∨

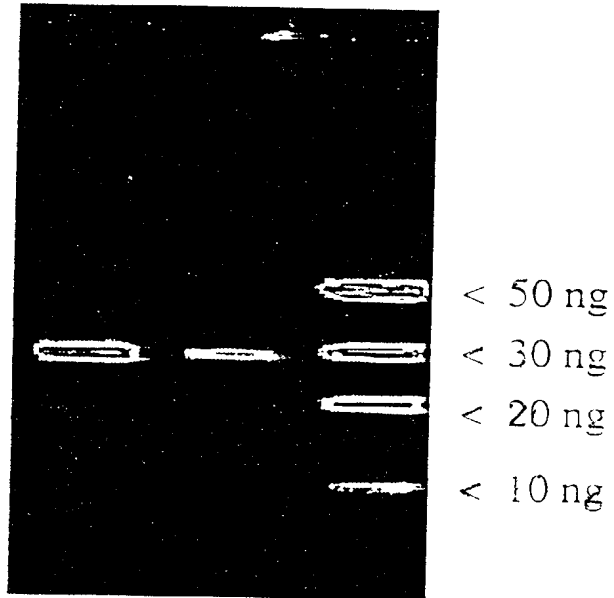


FIG. 10C